

## DP-101 Digital Panel Meter



The DP-101 panel meter is a 4 digit programmable meter intended for measurement of temperature, pressure, humidity, flow rate, surface height, concentration and other analogue units.

The meter is delivered pre-programmed for the input ordered. On separate order the meter may also be delivered with 2 adjustable alarm limits, a 4-20 mA current output, and/or for use with a 24 VDC supply.

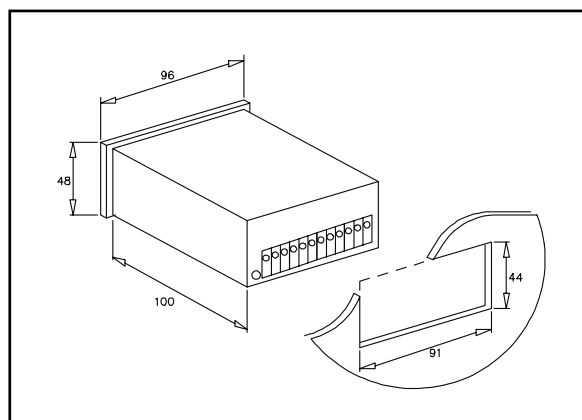
User programming is done using the front panel push buttons and the display. Programming can only be started using a password. In addition to programming the input, output, and alarm limits, the user may set a so-called 'snowball filter' for the display so that small changes do not affect the value shown.

The DP-101 has a 96 x 48 x 100 mm flush mounting enclosure and all leads go to the rear of the instrument to spring loaded contacts. The power supply may be either from the mains poer 230V 50Hz, or on separate order 24 VDC/12 VDC.

### TECHNICAL INFORMATION

Display:	4-digit 7-segment LED-display character height 14 mm
Inputs:	See order information table
Measurement speed	> 5 measurements/second
Alarm limits: (option)	Two adjustable low-high alarm limits Relay output (open/close contacts, 230 V/2A), adjustable hysteresis values, alarm delays, indicator light on front panel
Analogue output (option)	4-20 mA current output max. load 1 kohm / 48 V
Self-calibration	continuous
Precision	0,1% of range $\pm 1$ number
Operating temp.	0...+60 °C, dependence < 50 ppm/°C
Power supply:	230 V 50 Hz $\pm 10\%$ or 24 VDC(option) power approx. 5 W

### CONSTRUCTION



### ORDER INFORMATION

#### Basic models

DP-101-R	Pt-100 ohm RTD
DP-101-K	NiCrNi thermocouple
DP-101-S	PtRhPt thermocouple
DP-101-J	FeCo-thermocouple
DP-101-P	0...1000 ohm resistance
DP-101-C	4-20 mA current
DP-101-V	0-10V voltage

#### Additional equipment

-L2	Two adjustable limit values
-C	4-20 mA current output
-WTS	Transmitter power supply
-P24	Meter power supply 24 VDC
-P115	Meter power supply 115V 60Hz
PT-100-VE	Automatic cold junction compensation (Pt-100 ohm)
CB-1	Surface mounting enclosure with window (IP 65)

### EXTERNAL CONNECTIONS

