

DP-151 Programmable panel meter



The DP-151 is a programmable meter intended for measurement of temperatures using resistance sensors and thermocouples as well as other analogue units such as voltage, current, and resistance. It can be programmed to give linear and non-linear response of displayed values. On separate order the DP-151 may also be obtained in models that allow control and counting operation.

Standard features include two adjustable alarm limits with direction, hysteresis, and delay settings. The alarm limits provide closing relay contact control (on separate order opening contacts).

As a further option the meter may be obtained with two additional alarm limits – transistor control output, analogue output 4-20 mA or RS-232/RS-485 digital serial bus for two way communication.

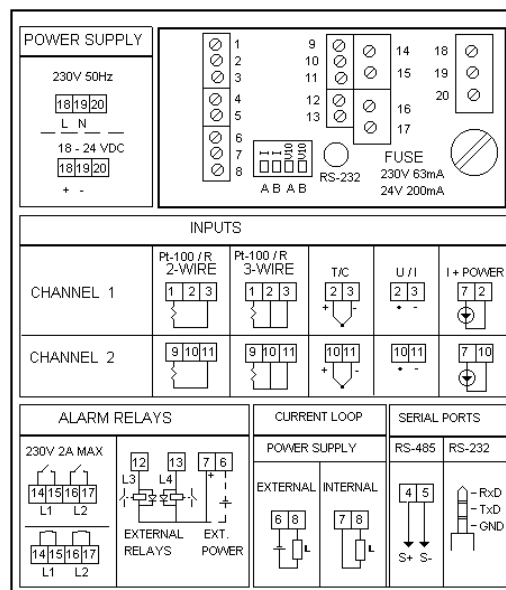
In standard versions the power supply is 230 V 50 Hz, but on separate order 24 VDC and 12 VDC versions are available. The meter can also be used to supply power for transmitters, analogue current outputs, and additional relay control.

Measured values and alarm states are shown in the 4 digit display and on the front panel indicator lights. The display may also show maximum and minimum values. All selections and settings are done using the front panel control push buttons.

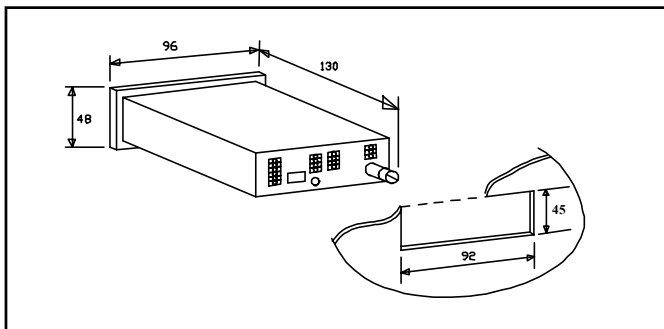
TECHNICAL INFORMATION

Display:	4 digit, 7-segment LED display character height 14 mm
Inputs:	Temperature → Pt-100 ohm RTD (2 or 3 wire) Thermocouple (J/K/S-types) Other inputs → Voltage 0 - 0.1/1/10V Current 0/4 – 20 mA Resistance 0 – 1400 ohm
Meas. speed:	> 5 measurements /second
Alarm limits:	1) two adjustable low-high limits, relay outputs open/close contacts 230V 2A 2) two additional open circuit outputs (option) -hysteresis and delay may be set for all limits
Analogue output (option)	4-20 mA current output max. load 1 kohm / 48 V
Serial connection (option)	RS-232C serial port (plug connection) or RS-485 multiunit serial port, screw connectors
Precision	0,1% of range ±1 number
Operating temp.	0...+60 °C, dependence < 50 ppm/°C
Power supply:	230 V 50 Hz, ±10% or 24 VDC (option)

CONNECTIONS



CONSTRUCTION



ORDER INFORMATION

DP-151	1-channel meter, power supply 230V 50Hz
DP-152	2-channel meter, power supply 230V 50Hz

ADDITIONAL EQUIPMENT

-C	4-20 mA current output
-S2/S4	RS-232/RS-485 serial bus output
-E2	Two additional limits
-P24	power supply 24 VDC
-P115	power supply 115V 50-60Hz
RU-2	2 channel relay unit for additional limits
CB-1	Surface mounting case with window
D3.PROG	PC-program for reading and settings