

DP-153 3 CHANNEL PANEL METER



The DP-153 panel meter is intended for temperature measurements using Pt-100 ohm resistance sensors (2 or 3 wire system) or 0-1 V voltage measurements.

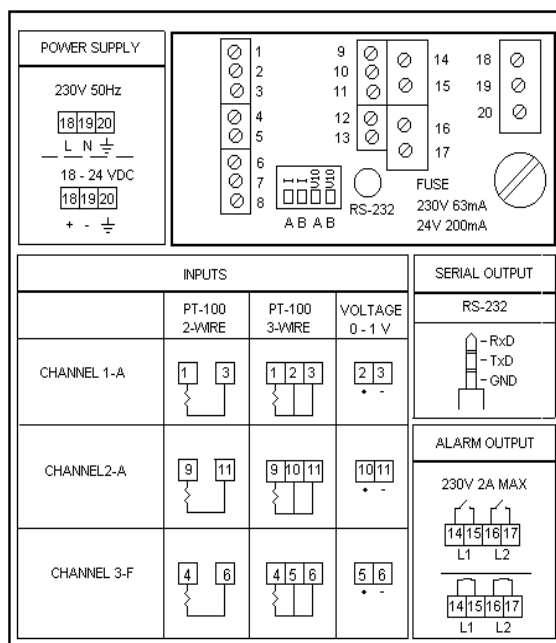
As a standard the meter has two adjustable alarm limits with direction of operation, hysteresis, and delay settings. The alarm limits give relay contact closure control (opening contacts to separate order). Alarm limits are for all channels combined so that which ever channel exceeds the limit causes the alarm relay to be activated. The alarm relay output is cancelled when the measured value on all channels has returned to the normal range.

The front panel indicator lights show which channel is shown in the display (A/B/F), the alarm state for the different limits (L1/L2), and transfer to the programming state (Pg). The display can also continuously show the minimum and maximum values for the channels. All selections and settings are made using the front panel push buttons. The standard power supply is 230V 50Hz, but 18-32 VDC versions are available on special order.

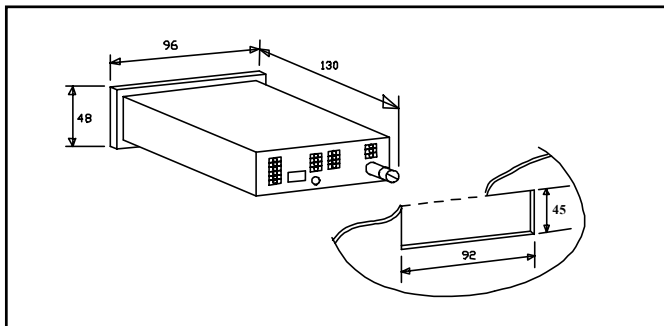
TECHNICAL INFORMATION

Display:	4 digit 7-segment LED display character height 14 mm
Inputs:	1) Pt-100 ohm resistance sensor 2 or 3 wire system -range -200.0...+800.0 °C -range 0.1 °C 2) 0-1V voltage with display scaling -input impedance > 100 MΩ -resolution 100 μV
Meas.speed	> 5 measurements/second
Alarm limits:	Two combined, adjustable low-high limits, Relay output (close/open contacts, 230V 2A), Delay and hysteresis settings
Self calibration	continuous
Precision	0,1% of range ±1 number
Operating temp.	0...+60 °C, dependence < 50 ppm/°C
Power supply:	230V 50Hz, ±10% or 24 VDC (option)

CONNECTIONS



CONSTRUCTION



ORDER INFORMATION

DP-153	3 channel panel meter -power supply 230V 50Hz
---------------	--

ADDITIONAL EQUIPMENT:

-S2	RS-232 Serial bus output
-P115	Meter with 115V 60Hz power supply
-P24	Meter with 24 VDC power supply
CB-1	Surface mounting case