

## HR-10X Humidity Transmitter



HR-10X transmitters are 2 or 4 wire relative humidity measurement units intended for use in industry and buildings. The humidity elements used have a wide measurement range and good precision, they also have good long term stability which lessens the need for recalibration.

The multilayer polymer construction of the humidity element means that the humidity provides a linear output either 4-20 mA or 0-1(10) V, this can be used for different displays or control units.

The HR-10X transmitter has the advantage that it is also possible to connect a Pt-100 ohm temperature sensor, either 2 or 3 wire connection to the required unit.

According to use the HR-10X humidity sensor is available in three different versions:

### HR-102 room humidity

For measurement in clean and dry conditions e.g. normal living conditions and computer rooms

### HR-103 store humidity

For humidity measurement in conditions that are damp or dirty e.g. stores, green houses or outside.

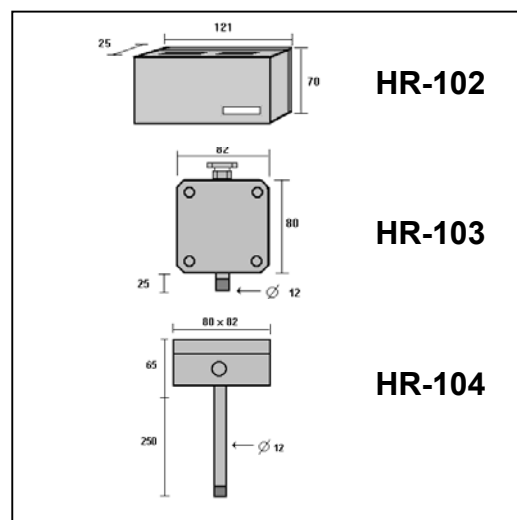
### HR-104 duct humidity

For humidity measurements in air conditioning ducts and machine rooms

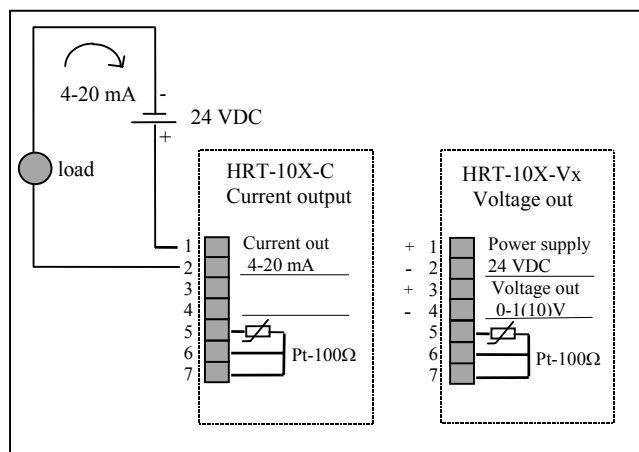
## TECHNICAL INFORMATION

Measurement range	0...100%
Element	Multilayer polymer
Output	4-20 mA or 0-1(10)V
Precision	$\pm 2$ %RH /25°C, from 0..90 %RH $\pm 5$ %RH /25°C, > 90 %RH
Temp. Dependence:	$< \pm 0.05\%$ / °C
Temp. Measurement	Pt-100 ohm (DIN), 3 wire
Enclosure:	Plastic protective cover
Connection	Screw connector max. 2.5 mm <sup>2</sup>
Protection	Sintered filter in channel and Store humidity transmitter
Environmental temp.	0...70°C
Power supply:	24 VDC/24VAC $\pm 10\%$

## CONSTRUCTION



## CONNECTIONS



## ORDER INFORMATION

