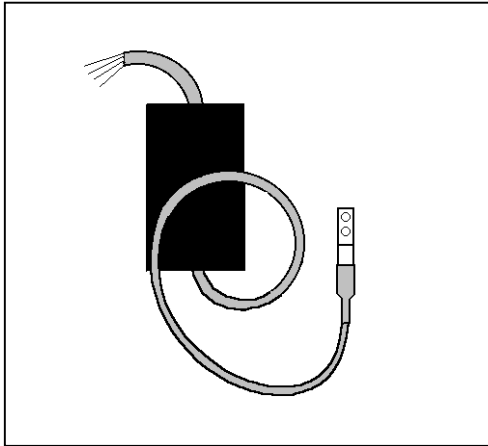


## THCS-2E Humidity transmitter



THCS-2 is a transmitter that measures relative humidity and temperature of air in cramped conditions or where a portable system is needed.

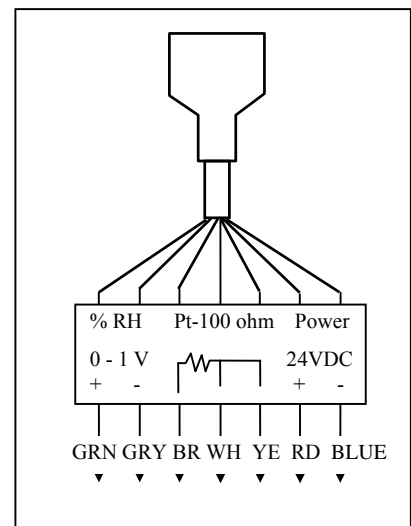
The humidity is measured with a multilayer polymer sensor that gives good stability and durability in difficult unclean environments.

For temperature measurements the transmitter has a Pt-100 ohm resistance thermometer (3-wire connection)

### TECHNICAL SPECIFICATIONS

Measurement range	0...100% RH
Operating temperature	-40...+70 °C (during meas.)
Precision (25 °C)	±2% 0...90%RH, ±5% >90%RH
Temp. dependence	±0,02%/ °C
Output	0-1V $\Delta$ 0...100%RH
Power supply	24VDC ±10%
Temp. measurement	Pt-100 ohm RTD, 3-wire connection
Connections	Free lead end for screw connection Sensor cable length 2 m

### CONNECTIONS



### DIMENSIONS

